



[www.jlh-spain.com](http://www.jlh-spain.com)



# CATÁLOGO · CATALOGUE

## SEPTIEMBRE · SEPTEMBER · SEPTEMBRE

### 2023

Actualmente **Accesorios Sanitarios JLH, S.L.** se dedica a la fabricación de productos para grifería y fontanería.

La calidad de nuestros productos nace de controles eficientes y de un proceso productivo que cuenta con los soportes adecuados, asegurándonos de que todos los procesos que intervienen en su fabricación operan dentro de las características previstas. La normalización es el punto de partida en la estrategia de la calidad, ofreciendo un servicio al cliente mejorado y alcanzando un alto nivel competitivo.

Nowadays, **Accesorios Sanitarios JLH, S.L.** focuses its production on products for plumbing and bathroom hardware.

The quality of our products is due to efficient controls and a productive process which counts with the appropriate technical supports. We make sure that all of the processes which have intervened in the production of our products operate according to previously defined characteristics. The standards are the starting point on the quality strategy, offering to our customers an improved service and achieving a high competitive level.

Actuellement **Accesorios Sanitarios JLH, S.L.** est dédié à la fabrication de produits pour la robinetterie et la plomberie.

La qualité de nos produits est né des contrôles efficaces et d'un processus de production qui possède des supports appropriés en s'assurant que tous les processus impliqués dans sa fabrication respectent les caractéristiques prévues. La normalisation est le point de départ dans la stratégie de qualité qui offre à sa clientèle des services améliorés et atteint un niveau élevé de compétitivité.

# Tubo

## Tube / Tuyau

<b>CARACTERÍSTICAS TÉCNICAS</b> <ul style="list-style-type: none"> <li>▪ Tubo EPDM sanitario.</li> <li>▪ Reforzado con trenza acero inoxidable AISI 304.</li> </ul>	<b>TECHNICAL CHARACTERISTICS</b> <ul style="list-style-type: none"> <li>▪ EPDM Sanitary hose.</li> <li>▪ Stainless Steel knitting AISI 304.</li> </ul>	<b>SPÉCIFICATIONS TECHNIQUES</b> <ul style="list-style-type: none"> <li>▪ Tuyau EPDM sanitaire</li> <li>▪ Renforcé avec tresse d'acier inox AISI 304</li> </ul>
---	--	---

### Tubo reforzado con hilo acero INOXIDABLE

INOX braided hose / Tuyau renforcé avec fil d'acier inox.



DN8	M13	8.5x12 mm	2.55€
DN13	M19	13x19 mm	5.40€
DN19	M26	19x26 mm	12.50€
DN25	M33	25x33 mm	15.60€
DN30	M40	30x40 mm	55.00€
DN40	M50	40x55 mm	70.00€
DN50	M60	50x65 mm	82.00€

# Accesorios

## Fittings / Raccords

### Casquillo Acero Inoxidable AISI 304

S S 304 Neck  
Embout d'acier inox  
AISI 304



DN8	C13	0.11€
DN13	C19	0.21€
DN19	C26	1.05€
DN25	C33	1.49€
DN30	C40	4.60€
DN40	C50	5.50€
DN50	C60	6.60€

### Nipple latón

Brass Nipple  
Mamelon fileté en laiton



DN8	13N38	0.30€
DN8	13N12	0.37€
DN13	19N12	0.53€
DN13	19N34	0.59€
DN25	26N34	1.36€
DN30	33N1	2.15€
DN35	40N114	6.64€
DN40	50N112	9.05€
DN50	60N2	15.10€

### Tuerca latón

Brass Nut  
Écrou en laiton



DN8	13T38	0.40€
DN8	13T12	0.61€
DN13	19T12	0.65€
DN13	19T34	0.97€
DN25	26T34	1.25€
DN30	33T1	2.00€
DN35	40T114	5.48€
DN40	50T112	6.30€
DN50	60T2	10.35€

### Machón

Brass Raccord  
Raccord Mâle en laiton



DN8	13R38	0.77€
DN8	13R12	0.90€
DN13	19R12	1.13€
DN13	19R34	1.78€
DN25	26R34	2.29€
DN30	33R1	4.12€
DN35	40R114	11.05€
DN40	50R112	15.36€
DN50	60R2	22.36€

### Codo latón

Brass bend angles  
Raccord à coudé en laiton



DN8	13C38	1.22€
DN8	13C12	1.31€
DN13	19C12	1.91€
DN13	19C34	1.90€
DN19	26C34	3.16€
DN25	33C1	4.24€

### Nipple monomando grifería

Mixer tap nipple  
Mamelon fileté pour robinetterie



DN8	13BC10	L 18 mm	0.75€
DN8	13BL10	L 35 mm	0.95€
DN8	13BSL10	L 75 mm	2.25€

# Ref. 30 Cartuchos de cerámica para monomando

Ceramic mixer cartridges

Cartouches ceramiques pour robinet monocommande

APPLICABLE STANDARDS REFERENCE EN200



Ø 35

Bag  
30CM35 3.50€



Ø 35

Con distribuidor  
With distributor  
Bag  
30CM35C 3.50€



Ø 40

Bag  
30CM40 3.50€



Ø 40

Con distribuidor  
With distributor  
Bag  
30CM40C 3.50€

# Connexiones

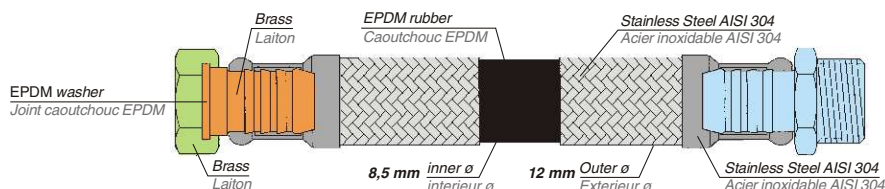
## Connection for drinking water

Flexibles de raccordement

# DN8 JLH 12



APPLICABLE STANDARDS REFERENCE UNE-EN 13618



	Inner Ø Tuyau intern Ø	Outer Ø Tuyau extern Ø	Maximum temperat. Maximum temperat.	Working temperat. Temperat. de service	Operating pressure Pression de service	Breakage pressure Pression d'éclatement	Curvature radius Rayon de courbure	Nominal flow Débit nominal	Applications Applications
<b>DN8</b>	8,5 mm	12 mm	110 °C	90 °C	20 Kg/cm <sup>2</sup>	80 Kg/cm <sup>2</sup>	30 mm	30 l/min.	Sanitary installations wash-basins, bidets, wc suites, faucets, coffee machines, water heaters

M1/2	H1/2	M3/8	H3/8	M3/8	H1/2	M1/2	H3/8	H1/2	H1/2
15 cm 0115M12H12 2.26€	20 cm 0120M12H12 2.38€	10 cm 0110M38H38 1.75€	15 cm 0115M38H38 1.87€	15 cm 0115M38H12 2.11€	20 cm 0120M38H12 2.23€	15 cm 0115M12H38 2.05€	20 cm 0120M12H38 2.17€	15 cm 0115H12H12 2.21€	20 cm 0120H12H12 2.33€
25 cm 0125M12H12 2.50€	30 cm 0130M12H12 2.62€	20 cm 0120M38H38 1.99€	25 cm 0125M38H38 2.11€	25 cm 0125M38H12 2.35€	30 cm 0130M38H12 2.47€	25 cm 0125M12H38 2.29€	30 cm 0130M12H38 2.41€	25 cm 0125H12H12 2.45€	30 cm 0130H12H12 2.57€
35 cm 0135M12H12 2.74€	40 cm 0140M12H12 2.86€	30 cm 0130M38H38 2.23€	35 cm 0135M38H38 2.36€	35 cm 0135M38H12 2.59€	40 cm 0140M38H12 2.71€	35 cm 0135M12H38 2.53€	40 cm 0140M12H38 2.65€	35 cm 0135H12H12 2.69€	40 cm 0140H12H12 2.81€
50 cm 0150M12H12 3.11€	60 cm 0160M12H12 3.35€	40 cm 0140M38H38 2.48€	50 cm 0150M38H38 2.71€	40 cm 0140M38H12 2.71€	50 cm 0150M38H12 2.95€	50 cm 0150M12H38 2.89€	60 cm 0160M12H38 3.13€	50 cm 0150H12H12 3.05€	60 cm 0160H12H12 3.29€
70 cm 0170M12H12 3.59€	80 cm 0180M12H12 3.85€	60 cm 0160M38H38 2.95€	70 cm 0170M38H38 3.19€	60 cm 0160M38H12 3.19€				70 cm 0170H12H12 3.53€	80 cm 0180H12H12 3.77€
90 cm 0190M12H12 4.08€	100 cm 01100M12H12 4.32€	80 cm 0180M38H38 3.43€						80 cm 0180H12H12 3.77€	90 cm 0190H12H12 4.01€
		100 cm 01100M38H38 3.91€						100 cm 01100H12H12 4.25€	120 cm 01120H12H12 4.73€
								150 cm 01150H12H12 5.45€	200 cm 01200H12H12 6.65€

H3/8	H3/8	H1/2	H3/8	H1/2	C1/2	H1/2	H7/8	H3/8	C3/8
10 cm 0110H38H38 1.67€	15 cm 0115H38H38 1.79€	15 cm 0115H12H38 2.00€	20 cm 0120H12H38 2.12€	30 cm 0130C12H12 3.83€	40 cm 0140C12H12 4.07€	35 cm 0135H12H78 2.60€	60 cm 0160H12H78 3.80€	30 cm 0130C38H38 3.45€	40 cm 0140C38H38 3.69€
20 cm 0120H38H38 1.91€	25 cm 0125H38H38 2.03€	25 cm 0125H12H38 2.24€	30 cm 0130H12H38 2.36€	50 cm 0150C12H12 4.31€	100 cm 01100C12H12 5.51€			40 cm 0140C38H38 3.69€	50 cm 0150C38H38 3.93€
30 cm 0130H38H38 2.15€	35 cm 0135H38H38 2.27€	35 cm 0135H12H38 2.48€	40 cm 0140H12H38 2.60€						
40 cm 0140H38H38 2.39€	50 cm 0150H38H38 2.63€	40 cm 0140H12H38 2.84€	50 cm 0150H12H38 2.84€						
60 cm 0160H38H38 2.87€	70 cm 0170H38H38 3.11€	60 cm 0160H12H38 3.08€	80 cm 0180H12H38 3.56€						
80 cm 0180H38H38 3.35€	100 cm 01100H38H38 3.83€	80 cm 0180H12H38 3.56€	100 cm 01100H12H38 4.04€						

### Colgador expositor Connection hanger

PET12 Conexión ø12 0.12€  
PET17 Conexión ø17 0.13€





# Connexiones Connection for drinking water Flexibles de raccordement



## JLH GRIFERÍA

APPLICABLE STANDARDS REFERENCE UNE-EN 13618

M10x100/L18 mm H3/8

M10x100/L18 mm H1/2

M10x1/L75 mm H3/8

M10x100/L35 mm H3/8

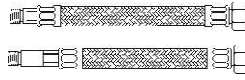
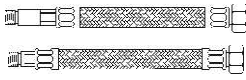
M10x100/L35 mm H1/2

30 cm 03307538 3.60€

35 cm 03357538 3.72€

40 cm 03407538 3.84€

50 cm 03507538 4.08€



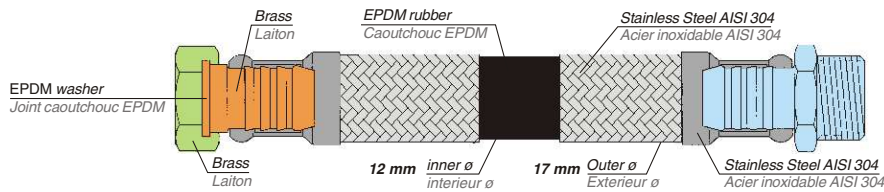
30 cm	03305338(2)	4.21€
35 cm	03355338(2)	4.44€
40 cm	03405338(2)	4.67€
50 cm	03505338(2)	5.14€
60 cm	03605338(2)	5.60€
80 cm	03805338(2)	6.65€
100 cm	031005338(2)	7.45€

30 cm	03305312(2)	4.53€
35 cm	03355312(2)	4.76€
40 cm	03405312(2)	4.99€
50 cm	03505312(2)	5.45€
60 cm	03605312(2)	5.92€



## DN13 JLH SUPER

APPLICABLE STANDARDS REFERENCE UNE-EN 13618



Inner Ø <i>Tuyau intern Ø</i>	Outer Ø <i>Tuyau extern Ø</i>	Maximum temperat. <i>Maximum temperat.</i>	Working temperat. <i>Temperat. de service</i>	Operating pressure <i>Pression de service</i>	Breakage pressure <i>Pression d'éclatement</i>	Curvature radius <i>Rayon de courbure</i>	Nominal flow <i>Débit nominal</i>	Applications <i>Applications</i>
DN13 12 mm	17 mm	110 °C	90 °C	18 Kg/cm <sup>2</sup>	72 Kg/cm <sup>2</sup>	45 mm	75 l/min.	Sanitary installations wash-basins, bidets, wc suites, faucets, coffee machines, water heaters

M1/2 H1/2

M1/2 H3/4

M3/4 H3/4

M3/4 H1/2

H1/2 H1/2

20 cm	0220M12H12	3.67€
25 cm	0225M12H12	3.91€
30 cm	0230M12H12	4.15€
35 cm	0235M12H12	4.39€
40 cm	0240M12H12	4.63€
50 cm	0250M12H12	5.11€
60 cm	0260M12H12	5.59€
70 cm	0270M12H12	6.07€
80 cm	0280M12H12	6.55€
100 cm	02100M12H12	7.51€
150 cm	02150M12H12	9.91€

20 cm	0220M12H34	4.07€
25 cm	0225M12H34	4.31€
30 cm	0230M12H34	4.55€
35 cm	0235M12H34	4.79€
40 cm	0240M12H34	5.03€
50 cm	0250M12H34	5.51€
60 cm	0260M12H34	5.90€

20 cm	0220M34H34	4.61€
25 cm	0225M34H34	4.85€
30 cm	0230M34H34	5.09€
35 cm	0235M34H34	5.33€
40 cm	0240M34H34	5.57€
50 cm	0250M34H34	6.05€
60 cm	0260M34H34	6.53€
100 cm	02100M34H34	8.45€

20 cm	0220M34H12	4.26€
25 cm	0225M34H12	4.50€
30 cm	0230M34H12	4.74€
35 cm	0235M34H12	4.98€
40 cm	0240M34H12	5.22€
50 cm	0250M34H12	5.70€
60 cm	0260M34H12	6.18€

20 cm	0220H12H12	3.57€
25 cm	0225H12H12	3.81€
30 cm	0230H12H12	4.05€
35 cm	0235H12H12	4.29€
40 cm	0240H12H12	4.53€
50 cm	0250H12H12	5.01€
60 cm	0260H12H12	5.49€
70 cm	0270H12H12	5.97€
80 cm	0280H12H12	6.45€
100 cm	02100H12H12	7.41€
150 cm	02150H12H12	9.81€

H1/2 H3/4

H3/4 H3/4

H1/2 C1/2

H3/4 C3/4

20 cm	0220H12H34	3.98€
25 cm	0225H12H34	4.22€
30 cm	0230H12H34	4.46€
35 cm	0235H12H34	4.70€
40 cm	0240H12H34	4.94€
50 cm	0250H12H34	5.42€
60 cm	0260H12H34	5.90€

20 cm	0220H34H34	4.38€
25 cm	0225H34H34	4.62€
30 cm	0230H34H34	4.86€
35 cm	0235H34H34	5.10€
40 cm	0240H34H34	5.34€
50 cm	0250H34H34	5.82€
60 cm	0260H34H34	6.30€

30 cm	0230C12H12	5.11€
40 cm	0240C12H12	5.59€
50 cm	0250C12H12	6.07€
60 cm	0260C12H12	6.55€
100 cm	02100C12H12	10.50€

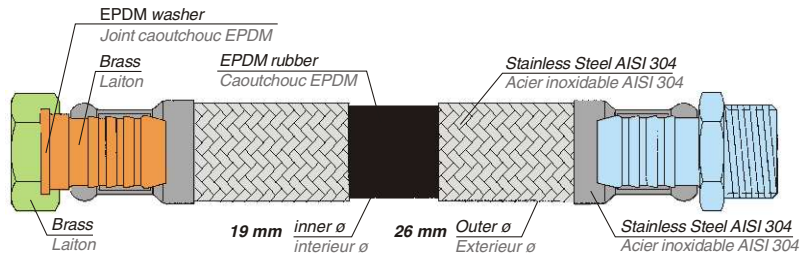
30 cm	0230C34H34	9.50€
40 cm	0240C34H34	9.98€
50 cm	0250C34H34	10.50€
60 cm	0260C34H34	11.00€
100 cm	02100C34H34	13.00€
150 cm	02150C34H34	15.50€
200 cm	02200C34H34	18.00€



# Connexiones Connection for drinking water Flexibles de raccordement

APPLICABLE STANDARDS REFERENCE UNE-EN 13618

## DN19



	Inner Ø <i>Tuyau intern Ø</i>	Outer Ø <i>Tuyau extern Ø</i>	Maximum temperat. <i>Maximum temperat.</i>	Working temperat. <i>Temperat. de service</i>	Operating pressure <i>Pression de service</i>	Breakage pressure <i>Pression d'éclatement</i>	Curvature radius <i>Rayon de courbure</i>	Nominal flow <i>Débit nominal</i>	Applications <i>Applications</i>
<b>DN19</b>	19 mm	26 mm	110 °C	90 °C	15 Kg/cm <sup>2</sup>	60 Kg/cm <sup>2</sup>	80 mm	120 l/min.	<b>Sanitary installations</b> wash-basins, bidets, wc suites, faucets, coffee machines, water heaters

### M3/4

### H3/4



30 cm	0630MH34	11.40€	60 cm	0660MH34	15.03€
40 cm	0640MH34	12.60€	80 cm	0680MH34	17.45€
50 cm	0650MH34	13.82€	100 cm	06100MH34	19.87€

### H3/4

### H3/4

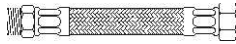


30 cm	0630HH34	11.40€	60 cm	0660HH34	15.03€
40 cm	0640HH34	12.60€	80 cm	0680HH34	17.45€
50 cm	0650HH34	13.82€	100 cm	06100HH34	19.87€

	Inner Ø <i>Tuyau intern Ø</i>	Outer Ø <i>Tuyau extern Ø</i>	Maximum temperat. <i>Maximum temperat.</i>	Working temperat. <i>Temperat. de service</i>	Operating pressure <i>Pression de service</i>	Breakage pressure <i>Pression d'éclatement</i>	Curvature radius <i>Rayon de courbure</i>	Nominal flow <i>Débit nominal</i>	Applications <i>Applications</i>
<b>DN19Plus</b>	19 mm	26 mm	110 °C	90 °C	15 Kg/cm <sup>2</sup>	60 Kg/cm <sup>2</sup>	80 mm	120 l/min.	<b>Sanitary installations</b> wash-basins, bidets, wc suites, faucets, coffee machines, water heaters

### M1

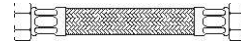
### H1



30 cm	0630MH1	15.60€	60 cm	0660MH1	19.20€
40 cm	0640MH1	16.80€	80 cm	0680MH1	21.65€
50 cm	0650MH1	18.00€	100 cm	06100MH1	24.10€

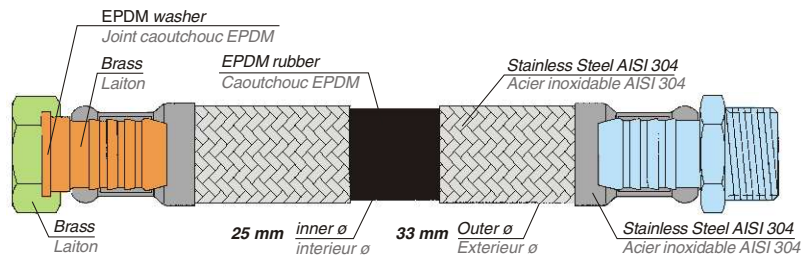
### H1

### H1



30 cm	0630HH1	15.60€	60 cm	0660HH1	19.20€
40 cm	0640HH1	16.80€	80 cm	0680HH1	21.65€
50 cm	0650HH1	18.00€	100 cm	06100HH1	24.10€

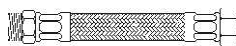
## DN25 1 1/4"



	Inner Ø <i>Tuyau intern Ø</i>	Outer Ø <i>Tuyau extern Ø</i>	Maximum temperat. <i>Maximum temperat.</i>	Working temperat. <i>Temperat. de service</i>	Operating pressure <i>Pression de service</i>	Breakage pressure <i>Pression d'éclatement</i>	Curvature radius <i>Rayon de courbure</i>	Nominal flow <i>Débit nominal</i>	Applications <i>Applications</i>
<b>DN25</b>	25 mm	33 mm	110 °C	90 °C	10 Kg/cm <sup>2</sup>	40 Kg/cm <sup>2</sup>	130 mm	200 l/min.	<b>Sanitary installations</b> wash-basins, bidets, wc suites, faucets, coffee machines, water heaters

### M1 1/4

### H1 1/4



30 cm	0630MH114	34.00€	60 cm	0660MH114	39.10€
40 cm	0640MH114	35.70€	80 cm	0680MH114	42.50€
50 cm	0650MH114	37.40€	100 cm	06100MH114	45.90€

### H1 1/4

### H1 1/4



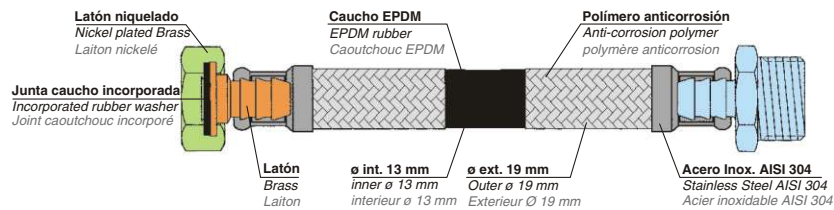
30 cm	0630HH114	34.00€	60 cm	0660HH114	39.10€
40 cm	0640HH114	35.70€	80 cm	0680HH114	42.50€
50 cm	0650HH114	37.40€	100 cm	06100HH114	45.90€

Disponibles tubos / Available tubes of: DN40 - 1 1/2" y / and DN50 - 2"

# Conexión trenzado POLÍMERO

Made in Spain 

## Polymer braided connector connexion tressée POLYMÈRE



<ul style="list-style-type: none"> <li>Alta resistencia a la corrosión</li> <li>Recomendable en zonas costeras, ambientes húmedos, etc.</li> </ul>	<ul style="list-style-type: none"> <li>Corrosion resistant.</li> <li>It is specially recommended for coastal areas with high salt concentration, for moisture, etc.</li> </ul>	<ul style="list-style-type: none"> <li>Résistant à la corrosion.</li> <li>Il est spécialement recommandé pour les zones côtières à forte concentration en sel, pour l'humidité, etc.</li> </ul>
--	--	---

## DN8 Conexión sanitaria

Connection for drinking water / Flexibles de raccordement inox

M1/2	H1/2	M3/8	H3/8	H1/2	H1/2	H3/8	H3/8	H1/2	H3/8
20 cm DN8M12H12P20 2.29€	20 cm DN8M38H38P20 1.94€	20 cm DN8H12H12P20 2.15€	20 cm DN8H38H38P20 1.90€	20 cm DN8H12H12P25 2.22€	25 cm DN8H38H38P25 1.97€	20 cm DN8H12H12P30 2.29€	25 cm DN8H38H38P25 1.97€	20 cm DN8H12H12P40 2.57€	25 cm DN8H38H38P25 1.97€
25 cm DN8M12H12P25 2.36€	25 cm DN8M38H38P25 2.01€	25 cm DN8H12H12P25 2.22€	25 cm DN8H38H38P25 1.97€	30 cm DN8M38H38P30 2.08€	30 cm DN8H12H12P30 2.29€	30 cm DN8M38H38P40 2.22€	30 cm DN8H38H38P30 2.04€	30 cm DN8M12H12P40 2.57€	30 cm DN8H38H38P30 2.04€
30 cm DN8M12H12P30 2.43€	30 cm DN8M38H38P30 2.08€	30 cm DN8H12H12P30 2.29€	30 cm DN8H38H38P30 2.04€	40 cm DN8M38H38P40 2.22€	40 cm DN8H12H12P40 2.43€	40 cm DN8M38H38P50 2.36€	40 cm DN8H38H38P40 2.18€	40 cm DN8M12H12P50 2.71€	40 cm DN8H38H38P40 2.18€
40 cm DN8M12H12P40 2.57€	40 cm DN8M38H38P40 2.22€	40 cm DN8H12H12P40 2.43€	40 cm DN8H38H38P40 2.18€	50 cm DN8M38H38P50 2.36€	50 cm DN8H12H12P50 2.57€	50 cm DN8M38H38P60 2.50€	50 cm DN8H38H38P50 2.32€	50 cm DN8M12H12P60 2.85€	50 cm DN8H38H38P50 2.32€
50 cm DN8M12H12P50 2.71€	50 cm DN8M38H38P50 2.36€	50 cm DN8H12H12P50 2.57€	50 cm DN8H38H38P50 2.32€	60 cm DN8M38H38P60 2.50€	60 cm DN8H12H12P60 2.71€	60 cm DN8M38H38P80 2.78€	60 cm DN8H38H38P60 2.46€	60 cm DN8M12H12P80 3.13€	60 cm DN8H38H38P60 2.46€
60 cm DN8M12H12P60 2.85€	60 cm DN8M38H38P60 2.50€	60 cm DN8H12H12P60 2.71€	60 cm DN8H38H38P60 2.46€	80 cm DN8M38H38P80 2.78€	80 cm DN8H12H12P80 2.99€	80 cm DN8M38H38P100 3.06€	80 cm DN8H38H38P80 2.75€	80 cm DN8M12H12P80 3.13€	80 cm DN8H38H38P80 2.75€
80 cm DN8M12H12P80 3.13€	80 cm DN8M38H38P80 2.78€	80 cm DN8H12H12P80 2.99€	80 cm DN8H38H38P80 2.75€	100 cm DN8M38H38P100 3.06€	100 cm DN8H12H12P100 3.27€		100 cm DN8H38H38P100 3.03€	100 cm DN8M12H12P100 3.42€	100 cm DN8H38H38P100 3.03€
100 cm DN8M12H12P100 3.42€	100 cm DN8M38H38P100 3.06€	100 cm DN8H12H12P100 3.27€	100 cm DN8H38H38P100 3.03€						100 cm DN8H12H38P20 2.08€
									25 cm DN8H12H38P25 2.11€
									30 cm DN8H12H38P30 2.18€
									40 cm DN8H12H38P40 2.32€
									50 cm DN8H12H38P50 2.46€
									60 cm DN8H12H38P60 2.61€
									80 cm DN8H12H38P80 2.89€
									100 cm DN8H12H38P100 3.17€

## DN8 Conexión grifería

Water connections for sanitary ware / Flexibles de raccordement pour robinetterie

M10x1/L18 mm	H3/8	M10x1/L35 mm	H3/8
35 cm DN81838P35 1.97€	35 cm DN83538P35 2.18€	40 cm DN81838P40 2.04€	40 cm DN83538P40 2.25€
40 cm DN81838P40 2.04€	40 cm DN83538P40 2.25€	50 cm DN81838P50 2.18€	50 cm DN83538P50 2.39€
50 cm DN81838P50 2.18€	50 cm DN83538P50 2.39€	60 cm DN81838P60 2.32€	60 cm DN83538P60 2.54€
60 cm DN81838P60 2.32€	60 cm DN83538P60 2.54€		

## DN13 Conexión SUPER

Water connections SUPER / Flexibles de raccordement SUPER

M1/2	H1/2	M3/4	H3/4	H1/2	H1/2	H3/4	H3/4
20 cm DN13M12H12P20 3.31€	20 cm DN13M34H34P20 4.47€	20 cm DN13H12H12P20 3.17€	20 cm DN13H34H34P20 4.19€	30 cm DN13M12H12P30 3.52€	30 cm DN13M34H34P30 4.68€	30 cm DN13H12H12P30 3.38€	30 cm DN13H34H34P30 4.40€
30 cm DN13M12H12P30 3.52€	30 cm DN13M34H34P30 4.68€	30 cm DN13H12H12P30 3.38€	30 cm DN13H34H34P30 4.40€	40 cm DN13M12H12P40 3.77€	40 cm DN13M34H34P40 4.93€	40 cm DN13H12H12P40 3.63€	40 cm DN13H34H34P40 4.65€
40 cm DN13M12H12P40 3.77€	40 cm DN13M34H34P40 4.93€	40 cm DN13H12H12P40 3.63€	40 cm DN13H34H34P40 4.65€	50 cm DN13M12H12P50 3.98€	50 cm DN13M34H34P50 5.14€	50 cm DN13H12H12P50 3.84€	50 cm DN13H34H34P50 4.86€
50 cm DN13M12H12P50 3.98€	50 cm DN13M34H34P50 5.14€	50 cm DN13H12H12P50 3.84€	50 cm DN13H34H34P50 4.86€	60 cm DN13M12H12P60 4.23€	60 cm DN13M34H34P60 5.39€	60 cm DN13H12H12P60 4.08€	60 cm DN13H34H34P60 5.11€
60 cm DN13M12H12P60 4.23€	60 cm DN13M34H34P60 5.39€	60 cm DN13H12H12P60 4.08€	60 cm DN13H34H34P60 5.11€	80 cm DN13M12H12P80 4.68€	80 cm DN13M34H34P80 5.85€	80 cm DN13H12H12P80 4.54€	80 cm DN13H34H34P80 5.56€
80 cm DN13M12H12P80 4.68€	80 cm DN13M34H34P80 5.85€	80 cm DN13H12H12P80 4.54€	80 cm DN13H34H34P80 5.56€	100 cm DN13M12H12P100 5.14€	100 cm DN13M34H34P100 6.30€	100 cm DN13H12H12P100 5.00€	100 cm DN13H34H34P100 6.02€
100 cm DN13M12H12P100 5.14€	100 cm DN13M34H34P100 6.30€	100 cm DN13H12H12P100 5.00€	100 cm DN13H34H34P100 6.02€				

# Connexión GAS

## Extensible GAS connection

Flexibles GAZ extensibles



### Características técnicas

Fabricado íntegramente en acero inoxidable. Totalmente protegida la zona anular con plástico aislante amarillo o blanco de 0,5 mm de espesor que evita la corrosión por líquidos agresivos y evita la dispersión eléctrica. Extensible 75%. Tubo flexible de acero inoxidable, con conexiones para conducción de combustibles gaseosos a media presión, según norma 60.713/1.

### Aplicaciones

Para la unión a instalaciones receptoras individuales fijas de aparatos de gas fijos o inmovilizados, que utilicen como combustible gases de la 1ª, 2ª y 3ª familia, alimentados a presiones no superiores a 0,5 Bars.

### Characteristics

Made entirely from stainless steel. The circular section is completely protected by 0,5 mm thick, yellow or white plastic insulation to prevent corrosion by aggressive liquids and avoid electrical dispersion. 75% extendable. Flexible, extendable, stainless steel hose with connections for medium pressure gas conduction according to regulation 60.713/1.

### Applications

Connection to individual, fixed or immobilised, gas appliances that use 1<sup>st</sup>, 2<sup>nd</sup> or 3<sup>rd</sup> family combustible gases at pressures of up to 0,4 Bar.

### Spécifications

Fabriqué entièrement en acier inoxydable. Totalement protégé la partie annulaire avec plastique isolant jaune ou blanc de 0,5mm d'épaisseur pour éviter la corrosion de liquides agresives en évitant la dispersion électrique. Extensible 75%. Tuyau flexible d'acier inoxydable avec raccordements pour la conduction de combustibles gazeux a pression moyenne, selon réglementation 60.713/1.

### Applications

Pour le raccordement à installations receptraires individuelles d'appareils gaz fixes ou immobilisés qu'utilisent comme combustible gaz des familles 1er, 2eme, et 3eme, alimentées à pressiones inferiores à 0,4 bar.

## DN12/20

APPLICABLE STANDARDS REFERENCE 60.713/1

Available lengths / longueurs disponibles **cm**

20 a / to 34 cm    30 a / to 51 cm  
50 a / to 85 cm    75 a / to 127 cm

H1/2    H1/2    DN12



20 a / to 34 cm 1520H12H12 10.50€  
30 a / to 51 cm 1530H12H12 12.30€  
50 a / to 85 cm 1550H12H12 15.70€  
75 a / to 127 cm 1575H12H12 20.00€

M1/2    H1/2    DN12



20 a / to 34 cm 1520M12H12 9.30€  
30 a / to 51 cm 1530M12H12 11.80€  
50 a / to 85 cm 1550M12H12 15.40€  
75 a / to 127 cm 1575M12H12 19.60€

H1/2    H3/4    DN12



20 a / to 34 cm 1520H12H34 12.55€  
30 a / to 51 cm 1530H12H34 14.50€  
50 a / to 85 cm 1550H12H34 18.10€

H3/4    H3/4    DN20



20 a / to 34 cm 1520H34H34 16.75€  
30 a / to 51 cm 1530H34H34 20.45€  
50 a / to 85 cm 1550H34H34 26.34€  
75 a / to 127 cm 1575H34H34 34.55€

M3/4    H3/4    DN20



50 a / to 85 cm 1550M34H34 25.60€

## KIT CONEXIONES FLEXIBLES PARA CALDERA

Flexible connection kit for builers

Según norma / According UNE 60713

Extensible / Stainless Steel



15KITGAS 52.90€



# Tubo de gas con válvula de seguridad

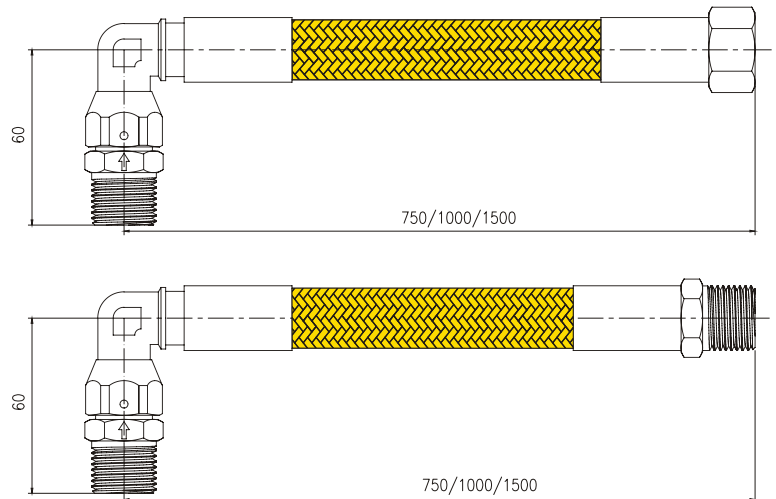
## Gas tube with safety valve **UNE EN 14800**

### CARACTERÍSTICAS TÉCNICAS

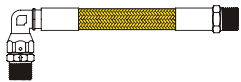
- Tubo coarrugado Acero Inox. AISI 304 reforzado con tuerca de hilo de Acero Inox. AISI 304 recubierto de PVC.
- Tuercas y casquillos de Acero Inox. AISI 304
- Juntas NBR
- Diámetro exterior: 20 mm
- Diámetro interior: 12 mm
- Diámetro de paso: 8 mm
- Caudal: >0,8m<sup>3</sup>/h
- Radio curvatura mínimo: no limite
- Presión de trabajo: 0,5 bar\*
- Para gases de la 2ª y 3ª familia, presión máxima de trabajo MOP 0,5 bar.

### TECHNICAL CHARACTERISTICS

- Inner S.S. corrugated hose, with braid and green PVC cover.
- S.S. 304 tube with S.S. braid and green PVC cover.
- S.S. 304 neck and S.S. 304 nut
- NBR gasket for the 1/2 female.
- Outer diameter: 20 mm
- Inner diameter: 12 mm
- Fitting inner diameter: 8 mm
- Flow rate: >0,8m<sup>3</sup>/h
- Minimum bending radius: no limite
- Working pressure: 0,5 bar\*
- For uns with gas of 2nd and 3rd families, maximum working pressure MOP 0,5 bar.

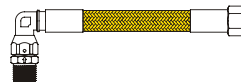


**M1/2 SV12**



75 cm 1575M12SV12 40.48€  
 100 cm 15100M12SV12 44.72€  
 150 cm 15150M12SV12 53.26€

**H1/2 SV12**



75 cm 1575H12SV12 40.48€  
 100 cm 15100H12SV12 44.72€  
 150 cm 15150H12SV12 53.26€

**H1/2 H1/2**



75 cm 1575F12F12 25.43€  
 100 cm 15100F12F12 31.52€

## Ref. 28 Junta plana para conexiones

Rubber gasket for water connection



### CARACTERÍSTICAS TÉCNICAS

- Junta especial para agua y gas.

### APLICACIONES

- Conexiones para agua y gas.

### TECHNICAL CHARACTERISTICS

- Special rubber gasket for water and gas utilities

### APPLICATIONS

- Water and Gas connections

28JP38	Junta plana 3/8	10 x 14,5 x 2	Bolsa 100 u.	0.04€
28JP12	Junta plana 1/2	12 x 18,5 x 2	Bolsa 100 u.	0.04€
28JP34	Junta plana 3/4	18 x 24 x 2	Bolsa 100 u.	0.07€
28JP1	Junta plana 1"	23 x 30,5 x 2,2	Bolsa 100 u.	0.10€
28JP114	Junta plana 1" 1/4	27 x 38 x 3	Bolsa 50 u.	0.15€
28JP112	Junta plana 1" 1/2	33 x 44 x 3	Bolsa 50 u.	0.18€
28JP2	Junta plana 2"	42 x 56 x 3	Bolsa 50 u.	0.26€

# Ref. 07/09 Reguladores de chorro para grifería

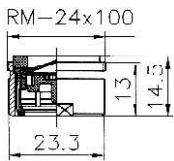
Jet regulators for sanitary ware / Brises jet pour robinetterie

Quality Standards EN 248 and 246



**18/100 CROMO**  
**20/100 CROMO**  
**24/100 CROMO**

MALE / ROSCA EXTERIOR

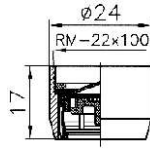


10 u./Box

0724C - 15 l/min. 24/100 **0.90€**  
0724CBLI - 15 l/min. 24/100 **1.05€**  
0720C - 12 l/min. 20/100 **1.10€**  
0718MC - 12 l/min. 18/100 **1.10€**

**16/100 CROMO**  
**18/100 CROMO**  
**22/100 CROMO**

FEMALE / ROSCA INTERIOR

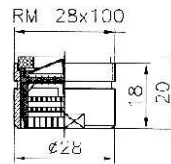


10 u./Box

0722C - 15 l/min. 24/100 **0.97€**  
0722CBLI - 15 l/min. 22/100 **1.10€**  
0718C - 12 l/min. 18/100 **1.10€**  
0716C - 6 l/min. 16/100 **1.10€**

**28/100 CROMO**

MALE / ROSCA EXTERIOR



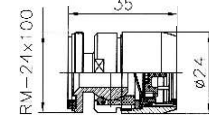
10 u./Box

0728C - 22 l/min. 22/100 **1.40€**  
0728CBLI - 22 l/min. 22/100 **1.55€**

**NOVA**

**22/100 CROMO**  
**24/100 CROMO**

MALE / ROSCA EXTERIOR  
FEMALE / ROSCA INTERIOR



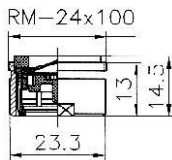
10 u./Box

0924NC Male - 15 l/min. **3.25€**  
0922NCH Female - 15 l/min. **3.25€**

# Ref. 10/12 ECONOMIZADORES WATER SAVING

**24/100 CROMO**

MALE / ROSCA EXTERIOR

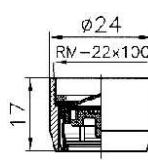


10 u./Box

1024C - 6 l/min. 24/100 **0.90€**  
1024CBLI - 6 l/min. 24/100 **1.05€**

**22/100 CROMO**

FEMALE / ROSCA INTERIOR



10 u./Box

1022C - 6 l/min. 22/100 **0.97€**  
1022CBLI - 6 l/min. 22/100 **1.10€**

**REGULADOR 1/2**



10 u./Box

1028C 1/2 - 9 l/min. **1.90€**  
1028CBLI 1/2 - 9 l/min. **2.05€**

**Rociador con flexo OZ**



120ZFLBOX - 6 l/min. **6.30€**

**Rociador OZ**



120ZBOX - 6 l/min. **3.98€**

**Rociador RODAM**



12RODAMBLI - 6 l/min. **2.75€**

**Applus<sup>+</sup>**

Expediente **08/32306935** de 18.04.08  
Correspondiente a Reguladores de chorro según: **UNE-EN 246**



Garantía de calidad ambiental

**Regulador con flexo**

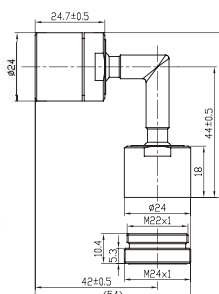


112422CBLI - 6 l/min. **5.75€**

**Aireador con rótula**  
2 posiciones Universal



09UNI **6.75€**



**Llave regulador**

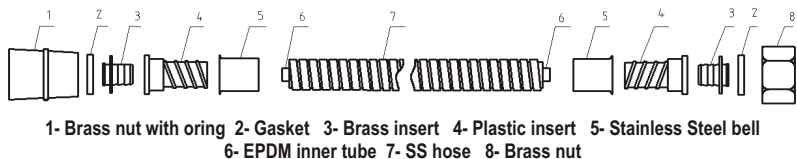


07TOOL **0.60€**

# Ref. 11 Flexos de ducha ACERO INOX.

Stainless steel shower hoses / Flexibles de douche

APPLICABLE STANDARDS REFERENCE UNE-EN 1113



Technical specifications for shower hoses	Inner Ø	Outer Ø	Max. temp.	Working temp.	Operating press.	Traction resist.	Curvature radius	Nominal flow
Extensible Double Lock S.S.	8 mm	15 mm	110 °C	70 °C	50 Bar	0,6 Kn	45 mm	30 l/min
Double Lock S.S.	8 mm	15 mm	110 °C	70 °C	50 Bar	0,6 Kn	45 mm	30 l/min

**High quality**

Breaking pressure >50 bar

Traction >60 Bar

## EXTENSIBLE STAINLESS STEEL SHOWER HOSES



11151512BAG	Flexo Extensible para extraíble M15/100xH1/2	1,5 - 2,0 m	6.10€
1115AE38BAG	Flexo Extensible para extraíble M3/8xH1/2	1,5 - 2,0 m	6.10€
11151238BAG	Flexo Extensible para extraíble Cónica H1/2xHexagonal H3/8	1,5 - 2,0 m	6.10€



1110SCBAG	Flexo extensible Acero Inox. sobre grapado	Ext. 0,8 - 1 m	4.75€
1112SCBAG	Flexo extensible Acero Inox. doble grapado	Ext. 1 - 1,5 m	5.25€
1117AEBAG	Flexo extensible Acero Inox. doble grapado	Ext. 1,7 - 2,2 m	6.00€



1117AEBAG	Flexo ACERO INOX. exten. doble grapado	Ext. 1,7 - 2,2 m	7.20€
-----------	--	------------------	-------

## STAINLESS STEEL SHOWER HOSES



1115CCBAG	Flexo Acero Inox. doble grapado	1,5 m	6.30€
1117CCBAG	Flexo Acero Inox. doble grapado	1,7 m	6.75€



1117BRBAG	Flexo Acero Inox. doble grapado <b>Bronze</b>	1,7 m	14.00€
-----------	---	-------	--------



1117COBAG	Flexo Acero Inox. doble grapado <b>Copper</b>	1,7 m	14.00€
-----------	---	-------	--------



1112INOXGBAG	Flexo Acero Inox. doble grapado <b>Gold</b>	1,2 m	8.00€
1117ORBAG	Flexo Acero Inox. doble grapado <b>Gold</b>	1,7 m	14.00€



1112INOXMBBAG	Flexo Acero Inox. doble grapado <b>Black</b>	1,2 m	10.00€
1115INOXMBBAG	Flexo Acero Inox. doble grapado <b>Black</b>	1,5 m	11.25€



# Ref. 11 Flexos de ducha PVC LINE

Made in European Union



## LINE PVC Shower hoses / Flexibles douche PVC LINE

APPLICABLE STANDARDS REFERENCE EN 1113

Flexos de ducha de PVC, que cumplen las más exigentes normas de calidad **EN 1113 - ACS - KTW**, en cuanto a su composición y características mecánicas. Ligeros muy resistentes y con una imagen actual. Muy recomendables para un uso intensivo y en zonas de costa.

### CARACTERÍSTICAS TÉCNICAS - LINE

■ Flexible de ducha de plástico con hilos de Poliéster (hilos cruzados), 5-capas, acabado: liso - mate o brillo. 8,5 x 15 mm.

### APLICACIONES

■ Griferías sanitarias.

*PVC Shower Hoses, which fulfil the most demanding quality standards EN 1113 ACS-KTW, regarding its composition and mechanical characteristics. Light, very resistant and with a up-to-date look. Highly recommended for intensive usage and for coastal areas.*

### TECHNICAL CHARACTERISTICS - LINE

■ Flexible plastic shower hose with Polyester threads (crossed threads), 5-coats and plain, matt or gloss finish. 8,5 x 15mm.

### APPLICATIONS

■ Sanitary Ware

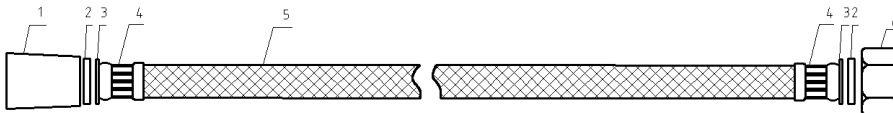
*Flexibles de douche PVC qu'accomplissent les réglementations plus exigeantes de qualité EN 113 - ACS - KTW, en attendant sa composition et specifications mecaniques Légeres, très résistantes et avec une image actuel. Très Recommandables pour usages intensives et en zones costieres*

### SPÉCIFICATIONS TECHNIQUES - LINE

■ Flexible douche en plastique avec fils en Polyester (fils croisés), cruzados), 5-capas, acabado: liso - mate o brillo. 8,5 x 15 mm. 5 couches, finition: lisse, mat ou brillant. 8,5 x 15 mm.

### APPLICATIONS

■ Robinetterie Sanitaire



1- Brass nut 2- Rubber 3- Brass insert 4- Stainless Steel 201 bell 1000 5- PVC hose 6- Small brass nut

Technical specifications for shower hoses	Inner Ø	Outer Ø	Max. temp.	Working temp.	Operating press.	Traction resist.	Curvature radius	Nominal flow
PVC Shower Hose with Polyester Threads	8 mm	15 mm	110 °C	70 °C	50 Bar	0,6 Kn	45 mm	30 l/min

**High quality**  
 Breaking pressure >50 bar  
 Traction >60 Bar



### CROMO / SILVER

1,2 m 1112LIRBAG 6.90€  
 1,7 m 1117LIRBAG 7.90€  
 0,8 m 1108LIRBAG 7.50€



### NEGRO / BLACK

1,2 m 1112LMBBAG 8.90€  
 1,7 m 1117LMBBAG 10.10€  
 0,8 m 1108LMBBAG 7.50€



Bolsa expositor



### BLANCO / WHITE

1,2 m 1112LMWBAG 8.90€  
 1,7 m 1117LMWBAG 10.10€



### ORO / GOLD

1,2 m 1112LMGBAG 8.90€  
 1,7 m 1117LMGBAG 10.10€  
 0,8 m 1108LMGBAG 7.50€

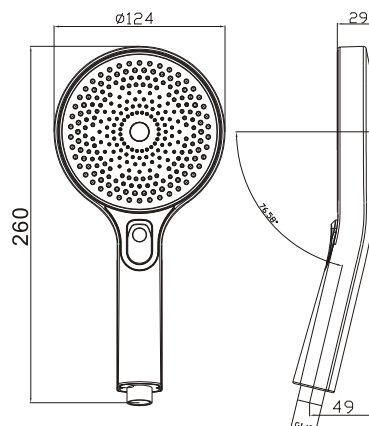
## DUBAI WATER SAVING (Flow rate 8 l/min) - ECONOMIZADOR



12DUBOX 19.05€



12DUMBBOX 19.05€



### 3 functions



### 258 NOZZLES

Spray, denso y suave  
 Silky and dense spray

# Ref. 12 Rociadores

Suministro / Supply  
Caja/box 10 u.

Sprinkle / Pommeaux de douche

APPLICABLE STANDARDS REFERENCE UNE-EN 1112

## Roma



Color Box  
12RRO 11.45€

## Redondo Dalí

Diámetro 200 / 250 mm



200/250 mm

Color Box  
12RD Ø200 mm 16.10€  
12RD25 Ø250 mm 25.70€

## Redondo Dalí negro



200 mm

Color Box  
12RDMB Ø200 mm 17.00€

## Cuadrado Miró



200/250 mm

200/250 mm

Color Box  
12RM 200x200 mm 17.60€  
12RM25 250x250 mm 33.50€

## AHORRO DE AGUA WATER SAVING

### Applus<sup>+</sup>

Expediente 08/32306935 de 18.04.08  
Correspondiente a Reguladores de chorro según: UNE-EN 246



Garantía de calidad ambiental

## NANTES



12NABAG - 9 l/min. 4.20€  
12NABOX - 9 l/min. 5.95€

## DALÍ



12DABAG - 9 l/min. 4.20€  
12DABOX - 9 l/min. 5.50€

## GABÓN



12GABAG - 9 l/min. 6.50€  
12GABOX - 9 l/min. 7.80€

## TEMPO



12TEMPO 40.20€

## Bolsa Cisterna

Introduce la bolsa, con agua salada, en la cisterna y ahorra hasta 2 litros de agua en cada uso.

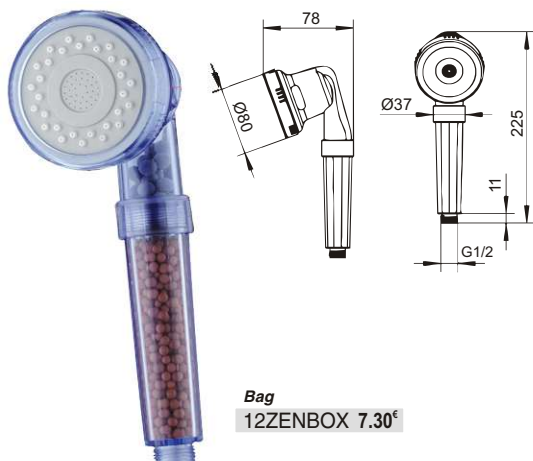
Introduce the bag, with salted water, inside the cistern and save up to 2 litres of water each time you use it.



Mettez-vous la boîte avec de l'eau salé dans la chasse d'eau et économisez-vous jusqu'au 2 litres d'eau par usage.

10BW 1.10€

## Ducha ZEN



Bag  
12ZENBOX 7.30€

- Ducha de mano de alta presión.
- Cuerpo de POLICARBONATO (PC).
- El cabezal es extraíble y lavable.
- Piedra natural en el interior.
- Reduce la cal, metales duros y bacterias del agua.
- Produce efecto zen.

- High pressure hand shower,
- POLICARBONATE (PC) body,
- ABS head and TPR anti-lime with three functions.
- The head is removable and washable.
- Natural stone inside. Mineralized.
- Reduces lime, hard metals, water bacteria.
- It produces zen effect.

## Recambio piedra natural

(100 gr white+gray +red stone)



Bag  
STONES 0.85€

# Ref. 12 Duchas Ref. 16 Set ducha

Handshower / Douchettes à main

APPLICABLE STANDARDS REFERENCE UNE-EN 1112-1113

Suministro / Supply

Blister: 10 u. / Box: 10 u.

## Ducha APEL



Bag  
12ACBAG 3.50€  
12ACBOX 4.60€



BLANCO / WHITE  
Bag  
12ACWBAG 3.25€

## Set ducha APEL



Ref. 1117AEBAG

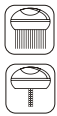


Ref. 14SKYBAG

16ACBOX 15.30€

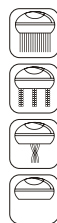
## Ducha REX

extraíble cocina



Color box  
12RXBOX 7.75€  
12RXBAG 7.30€

## Ducha TECNO



Cambio de posición automático



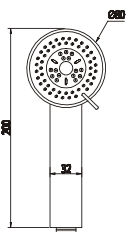
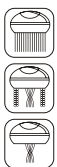
12TEBLI 22.10€

## Ducha NIL



12NILBAG 5.40€

## Ducha LEÓN



12LEBOX 6.30€  
12LEBAG 5.50€



12LEWBOX 6.30€



12LEMBBOX 6.30€

## Set ducha LEÓN



Ref. 1117AEBAG



Ref. 14SKYBAG

16LEBOX 16.10€



# Ref. 12 Duchas Ref. 16 Set ducha Ref. 17 Kit ducha

Handshower / Douchettes à main

APPLICABLE STANDARDS REFERENCE UNE-EN 1112-1113

Suministro / Supply

Blister: 10 u. / Box: 10 u.

## Ducha ALTEA



Bag  
12ATBAG 8.95€  
12ATBOX 9.95€

## Set ducha ALTEA



Ref. 1117AEBAG



Ref. 14SKYBAG

16ATBOX 18.90€

## Kit ducha ALTEA



17ATBOX 42.30€

## Ducha LIMA



Bag  
12LIBAG 5.50€  
12LIBOX 6.80€

12LIMBAG 6.70€

## Set ducha LIMA



Ref. 1117AEBAG



Ref. 14SKYBAG

16LIBOX 17.00€

## Kit ducha LIMA



17LIBOX 31.50€

# Ref. 14/17 Kits, barras y soportes de ducha

Kits, sliding bars and supports / Kits barre de douche et supports

## Barra Luxe



Bag  
14BLBAG 24.10€  
14BLBOX 25.60€

## Barra Onda



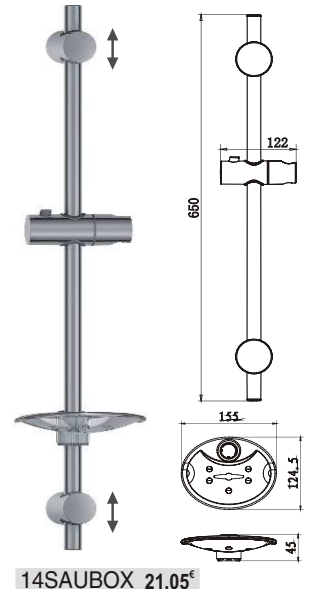
Bag  
14ODBAG 24.90€

## Barra Moon



Bag  
14MOONBAG 17.50€  
14MOONMBBAG 17.50€

## Barra Sau



14SAUBOX 21.05€

## Soporte Star



Bag  
14SCBAG 2.75€

## Soporte Sun



Bag  
14SUNBAG 4.10€

## Soporte Sky



Bag  
14SKYBAG 2.85€  
14SKYMBBAG 2.90€

**Ref. 16 Sets bidé (ducha-soporte-flexo) APPLICABLE STANDARDS REFERENCE EN 1112-1113**

*Shower kit (Handshower - support - shower hose)*  
*Kits douche (douchette à main – support – flexible douche)*

**Suministro / Supply**  
**Box: 15 u.**

**Elan blanco** *white / blanche*



**Elan cromo** *chrome / chromé*



**Kiel**



**Pisa blanco** *white / blanche*



**Pisa cromo** *chrome / chromé*



**Vich** *chrome/chromé*



**Vich** *black/noir*



**Vich** *gold/or*



**Lazio** *chrome/chromé*



**Lazio** *black/noir*



**Lazio** *gold/or*



# Ref. 19 Monomando con cartucho cerámico

Mixer with ceramic cartridge / Mitigeur avec cartouche ceramique

**Suministro / Supply**

Caja expo. / box 10 u.

## CARACTERÍSTICAS TÉCNICAS

- Monomando de latón cromado
- Cartucho cerámico
- Florón de latón cromado

## TECHNICAL CHARACTERISTICS

- Chrome-plated brass mixer
- Ceramic mixer cartridges
- Chrome-plated brass cover

## SPÉCIFICATIONS TECHNIQUES

- Robinet mitigeur en laiton chromé
- Cartouche ceramique
- Rosace en laiton chromé

Colores disponibles / Available colors

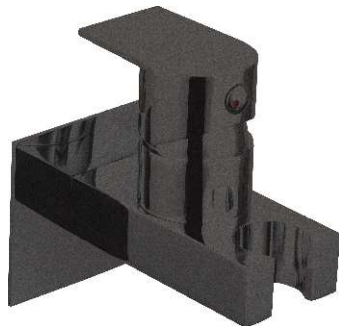
● Silver ● Gold ● Black ○ White

### Monomando VICH



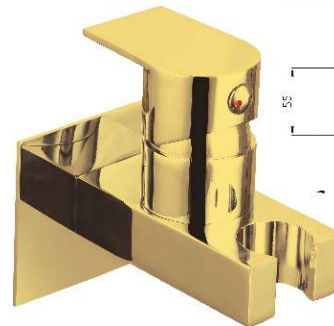
Color box  
19VICH 55.00€

### Monomando VICH Negro

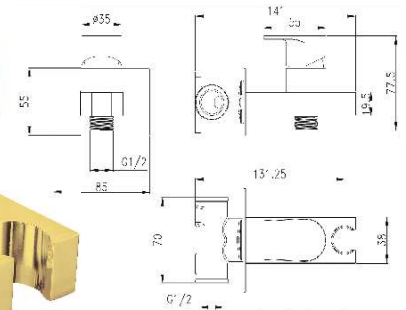


Color box  
19VICHMB 59.00€

### Monomando VICH Oro



Color box  
19VICHG 61.25€



### Monomando LAZIO



Color box  
19LAZIO 55.00€

### Monomando LAZIO Negro



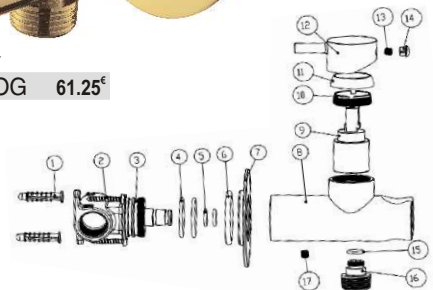
Color box  
19LAZIOMB 59.00€

### Monomando LAZIO Oro

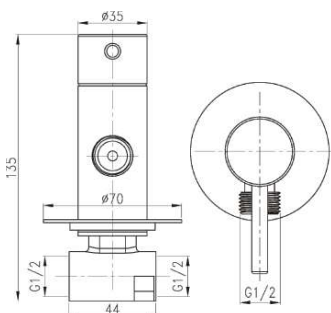


Color box  
19LAZIOG 61.25€

- |                         |                           |                    |
|-------------------------|---------------------------|--------------------|
| 1 Plastic               | 7 SS304 Stainless steel   | 13 Stainless steel |
| 2 M4*25 Stainless steel | 8 H59-1 Brass             | 14 Plastic         |
| 3 H59-1 Brass           | 9 Ø25mm Ceramic cartridge | 15 NBR             |
| 4 NBR                   | 10 H59-1 Brass            | 16 Brass           |
| 5 NBR                   | 11 H62 brass              | 17 Stainless steel |
| 6 NBR                   | 12 Zinc alloy             |                    |



### Monomando Prodec



Color box  
19MP12 40.00€

### SETS MONOMANDO



Set Monomando  
LAZIO



Set Monomando  
VICH

- |          |  |         |
|----------|--|---------|
| CHROME ● | 32LAZIO (19LAZIO + 12LAZIO + 1112SC)           | 87.50€  |
| BLACK ●  | 32LAZIOMB (19LAZIOMB + 12LAZIOMB + 1112INOXMB) | 97.50€  |
| CHROME ● | 32VICH (19VICH + 12VICH + 1112SC)              | 89.50€  |
| BLACK ●  | 32VICHMB (19VICHMB + 12LAZIOMB + 1112INOXMB)   | 99.50€  |
| GOLD ●   | 32LAZIOG (19LAZIOG + 12LAZIOG + 1112INOXG)     | 99.75€  |
| GOLD ●   | 32VICHG (19VICHG + 12LAZIOG + 1112INOXG)       | 101.75€ |



# Ref. 19 Llaves de escuadra

Angle valves / Robinets d'arret d'équerre

APPLICABLE STANDARDS REFERENCE UNE 19703

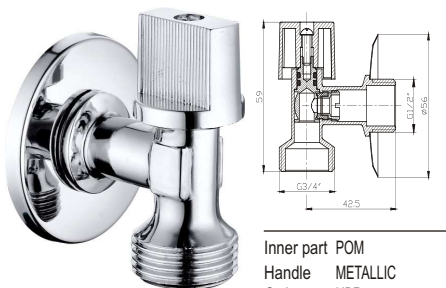
Suministro / Supply  
Caja expo. / box 50 / 100 u.

Colores disponibles / Available colors  
● Silver ● Black ○ White



Caja expositor  
Color Box

## ZUG



Inner part POM  
Handle METALLIC  
O-ring NBR  
Body BRASS  
Rosette STAINLESS STEEL  
Weight 125 gr

1/2 x 3/4 1934Z 4.90€

## Prodec 1

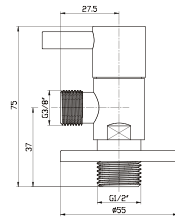
Cromo



Negro



Oro



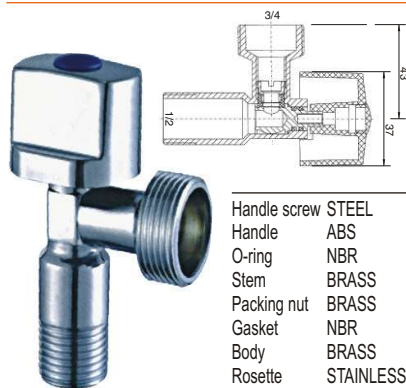
Inner part CERAMIC CARTRIDGE  
Handle METALLIC  
O-ring NBR  
Body BRASS  
Rosette STAINLESS STEEL  
Weight 135 gr

1/2 x 3/8 1938P1 7.25€  
1/2 x 1/2 1912P1 7.25€

1/2 x 3/8 1938P1MB 12.00€  
1/2 x 1/2 1912P1MB 12.00€

1/2 x 3/8 1938P1G 12.00€  
1/2 x 1/2 1912P1G 12.00€

## Tor



Handle screw STEEL  
Handle ABS  
O-ring NBR  
Stem BRASS  
Packing nut BRASS  
Gasket NBR  
Body BRASS  
Rosette STAINLESS STEEL  
Weight 102 gr

1/2 x 3/4 1934T 4.50€

## Kali

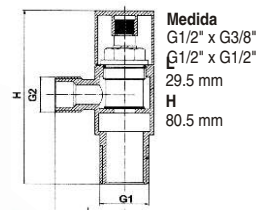
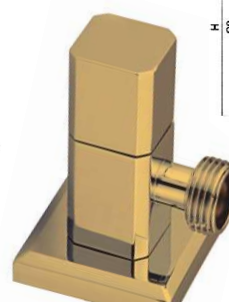
Cromo



Negro



Oro



Inner part CERAMIC CARTRIDGE  
Handle METALLIC  
O-ring NBR  
Body BRASS  
Rosette STAINLESS STEEL  
Weight 167 gr

1/2 x 3/8 19KALI38 7.60€  
1/2 x 1/2 19KALI12 7.60€

1/2 x 3/8 19KALI38MB 12.50€  
1/2 x 1/2 19KALI12MB 12.50€

1/2 x 3/8 19KALI38G 12.50€  
1/2 x 1/2 19KALI12G 12.50€

## Quatro

Cromo



Negro



Oro



1/2 x 3/8 1938Q 8.40€  
1/2 x 1/2 1912Q 8.40€

1/2 x 3/8 1938QMB 12.50€  
1/2 x 1/2 1912QMB 12.50€

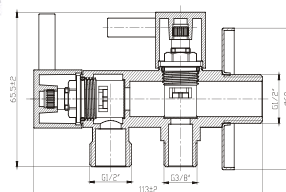
1/2 x 3/8 1938QG 12.50€  
1/2 x 1/2 1912QG 12.50€

## Prodec 3

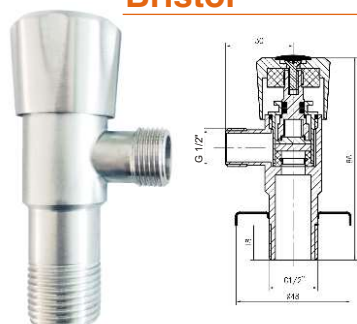


Inner part CERAMIC CARTRIDGE  
Handle METALLIC  
O-ring NBR  
Body BRASS  
Rosette STAINLESS STEEL  
Weight 310 gr

G1/2x G3/8xG1/2  
19PRO3 16.50€  
BLACK ● 19PRO3MB 18.20€



## Bristol

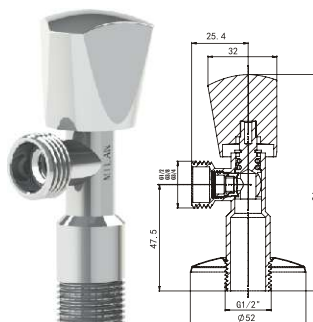


ACERO INOX. AISI 304  
SS 304 ANGLE VALVE

1938SS 1/2 x 3/8 7.00€  
1912SS 1/2 x 1/2 7.00€

Inner part CERAMIC CARTRIDGE  
Handle METALLIC  
O-ring NBR  
Body STAINLESS STEEL  
Rosette STAINLESS STEEL  
Weight 160 gr

## Milan ANTICAL-ANTILIME



Handle ABS  
O-ring NBR  
Stem POM  
Packing nut BRASS  
Gasket NBR  
Body BRASS  
Rosette STAINLESS STEEL  
Weight 152 gr

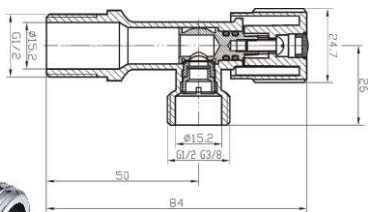
1/2 x 3/8 19MILAN38A 3.70€  
1/2 x 1/2 19MILAN12A 3.70€

# Ref. 19 Llaves de escuadra

APPLICABLE STANDARDS REFERENCE UNE 19703

Angle valves / Robinets d'arrêt d'équerre

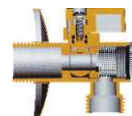
## Star



Handle screw	STEEL
Handle	METALLIC
O-ring	NBR
Stem	BRASS
Packing nut	BRASS
Gasket	NBR
Body	BRASS
Rosette	STAINLESS STEEL
Weight	120 gr

1/2 x 1/2 1912S 4.75€  
1/2 x 3/8 1938S 4.75€

## Seté Con filtro With filter



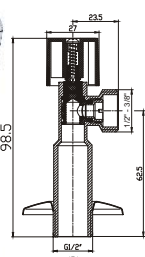
Cuerpo latón.  
Mando metálico.  
Peso: 107 gr  
Brass body. Metallic handle SS cover. Weight: 107 gr

Handle screw	STEEL
Handle	METALLIC
O-ring	NBR
Stem	BRASS
Packing nut	BRASS
Gasket	NBR
Body	BRASS
Rosette	STAINLESS STEEL
Weight	107 gr

1/2 x 1/2 19SETE12 5.25€  
1/2 x 3/8 19SETE38 5.25€

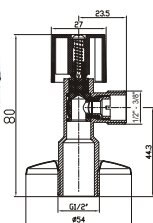
## Nimes larga

ANTICAL-ANTILIME



## Nimes corta

ANTICAL-ANTILIME

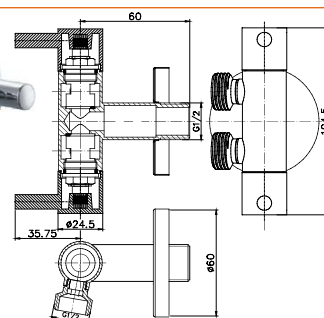


Handle screw	STEEL
Handle	ABS
O-ring	NBR
Stem	POM
Packing nut	BRASS
Gasket	NBR
Body	BRASS
Rosette	S.S.
Weight	80 gr

1/2 x 1/2 1912LA 3.95€  
1/2 x 3/8 1938LA 3.95€

1/2 x 1/2 1912A 3.20€  
1/2 x 3/8 1938A 3.20€

## Prodec 2



Inner part	CERAMIC CARTRIDGE
Handle	METALLIC
O-ring	NBR
Body	BRASS / STAINLESS STEEL
Rosette	STAINLESS STEEL
Weight	307 gr

LATÓN / BRASS  
1/2x1/2x1/2  
19PRO2 17.15€

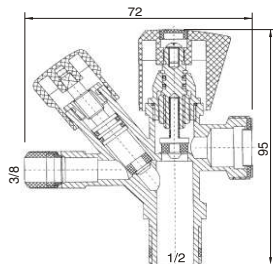
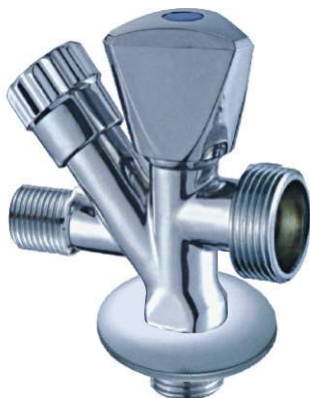
## Prodec 2 SS



ACERO / SS  
1/2x1/2x1/2  
19PRO2SS 12.00€

ACERO / SS / BLACK  
1/2x1/2x3/8  
19PRO2SSMB 14.00€

## Llave doble lavavajillas



Handle screw	STEEL
Handle	ABS
O-ring	NBR
Stem	BRASS
Packing nut	BRASS
Gasket	NBR
Body	BRASS
Rosette	STAINLESS STEEL
Weight	219 gr

1/2 x 3/4 x 3/8 193438 12.40€  
1/2 x 1/2 x 3/8 191238 12.40€

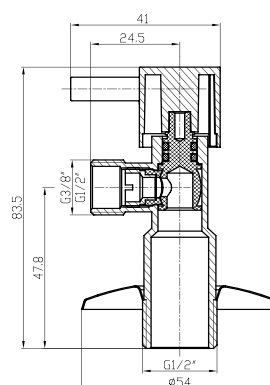
## Ref. 31 Cinta teflón

Teflon tape / Ruban téflon

19x50x0,10  
31CT1950  
Densidad 0,35 gr/cm<sup>2</sup> 3.50€



## Prodec Antical-Antilime



1/2 x 3/8 1938P1A 5.00€  
1/2 x 1/2 1912P1A 5.00€

# Ref. 20 Grifos lavadora

Washing machine taps / Robinets machine à laver

APPLICABLE STANDARDS REFERENCE UNE 19703

## CARACTERÍSTICAS TÉCNICAS

■ Grifo de 1/2 x 3/4, latón cromado, monturas de 1/4.

## TECHNICAL CHARACTERISTICS

■ Chrome-plated tap 1/2 x 3/4 1/4 fittings.

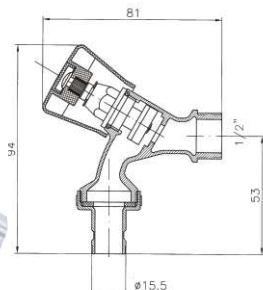
## SPÉCIFICATIONS TECHNIQUES

■ Robinet 1/2 x 3/4, laiton chromé, têtes 1/4".

### Grifo lavadora



Blister  
20GL34BOX 7.90€



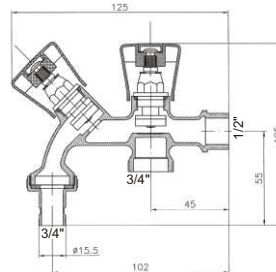
**Suministro / Supply**

Blister: Caja/box 50 u.

### Grifo lavadora doble



Blister  
20GL34DBOX 13.70€



**Suministro / Supply**

Caja/box 50 u.

# Ref. 18 Válvula y grifo de esfera

Brass ball valve / bibcock / Soupape et robinet à sphere

APPLICABLE STANDARDS REFERENCE EN 1113

## CARACTERÍSTICAS TÉCNICAS

■ Válvula y grifo con cuerpo de latón.  
■ Maneta acero inoxidable cromado.  
■ Tuerca de latón  
■ Bola latón/acero

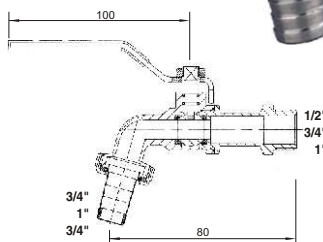
## TECHNICAL CHARACTERISTICS

■ Brass valve and brass tap body.  
■ Chrome-plated stainless steel handle.  
■ Brass nut  
■ Brass/steel ball

## SPÉCIFICATIONS TECHNIQUES

■ Soupape et robinet corps en laiton  
■ Manette en acier inoxydable chromé  
■ Écrou laiton  
■ Boule laiton / acier

### Grifo esfera jardín



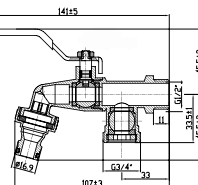
1/2 x 3/4 - Grifo esfera jardín 181234 5.05€

Caja / box 15 u. - Peso / Weight 170 gr

3/4 x 1" - Grifo esfera jardín 18341 8.00€

Caja / box 10 u.

### Grifo esfera jardín 2 Salidas

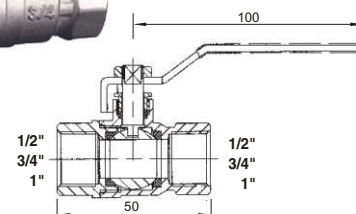


Grifo esfera jardín 2 salidas  
Brass bibcock with two outputs

1/2 x 3/4x3/4 18123434 11.70€

Caja / box 10 u. - Peso / Weight 200 gr

### Válvula esfera



H-H 1/2" - Válvula esfera 1812 5.10€

Caja / box 12 u. - Peso / Weight 152 gr

H-H 3/4" - Válvula esfera 1834 6.90€

Caja / box 10 u.

H-H 1" - Válvula esfera 1811 11.30€

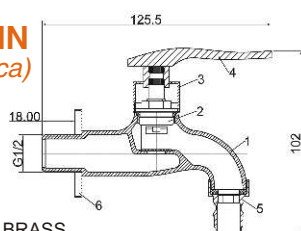
Caja / box 10 u.



1/2 x 1/2 - Grifo jardín

18ZETA 13.65€

### GRIFO JARDIN (montura cerámica)



- 1 - BODY - BRASS
- 2 - CARTRIDGE - BRASS+CERAMICS
- 3 - CONNECT - ZINC
- 4 - HANDLE - ZINC
- 5 - OUTPUT - INOX
- 6 - COVER - INOX



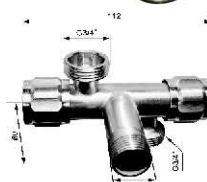
### PRODEC34SS

Válvula de acero inoxidable 304 con cartucho latón cerámico

SS 304 Angle valve with brass cartridge 1/2x3/4x3/4

Acero / SS

19PRO34SS 15.10€

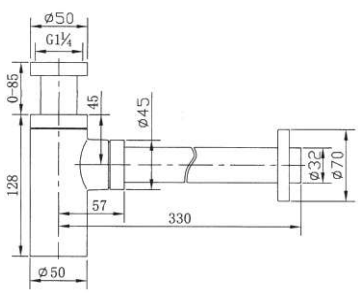




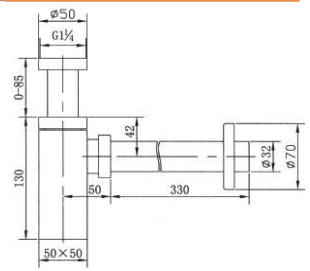
# Ref. 27 Sifones lavabo latón *Brass basin siphon / Siphon lavabo laiton*

APPLICABLE STANDARDS REFERENCE UN274-1

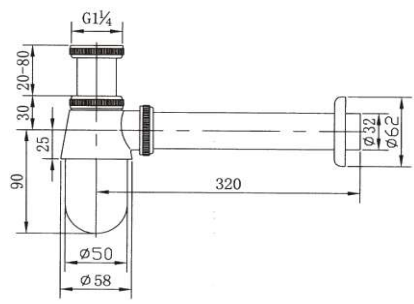
## Luxe



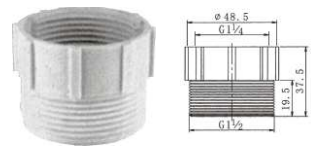
## Cuatro



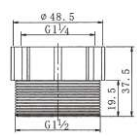
## Ito



## Adaptador



1 1/4 - 1 1/2  
Bag  
26AD112 0.80€





# Ref. 26 Válvulas desagüe automáticas latón

Brass automatic pop-up waste drainers  
Vidages clic clac laiton

APPLICABLE STANDARDS REFERENCE UN274-1



## Cuatro



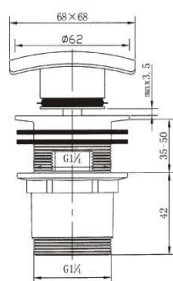
26VDA4 18.20€



26VDA4MB 21.40€



26VDA4G 21.65€



## Ares



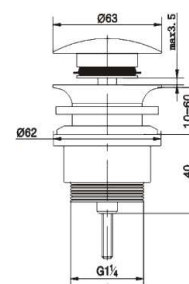
26VDAR 14.30€



26VDARMB 16.40€



26VDARBR 16.60€



## Luxe



26VDAL 15.80€



26VDALMB 19.20€



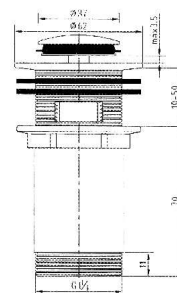
26VDALG 19.20€



## Válvula universal



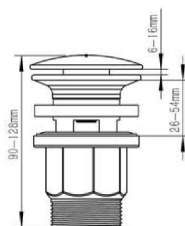
26VDAS 13.70€



## Válvula universal ABS



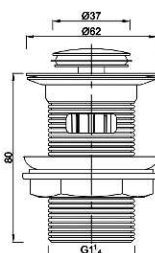
26VDABS 4.50€



## Aran



26VDARAN 7.64€



## Kibo



26VDKIBO 10.22€



Water tank flush valves and fill float valves  
Chasse d'eau et robinet flotteur

Suministro / Supply  
Box: 20 u. / Bag: 20 u.

### Descargas WC doble pulsador

WC Water tank double flush push button  
Chasse d'eau WC doublé à double poussoir

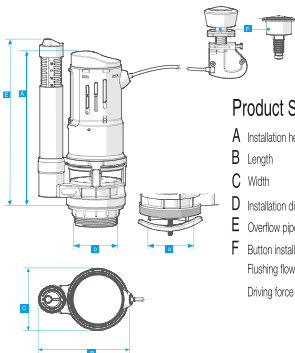
Valvula descarga con rosca universal y todos sus accesorios (juntas y fijaciones)

Flush valve with universal thread and all accessories (joints and assembling fittings)

Mechanisme chasse d'eau avec filetage universel et tous ses accessoires (joints et fixations)



Color Box  
29DSUVA 21.00€



Product Specification

A	Installation height (include rubber)	208 mm
B	Length	119 mm
C	Width	83 mm
D	Installation diameter	For two-piece: 2NPSM / For one-piece: 64mm
E	Overflow pipe adjustment height	185-285mm
F	Button installation size	18 x18mm / Diameter: 38.5mm
	Flushing flow	2.2 L/S
	Driving force	18 N (200mm water level)



Color Box  
29DDPBOX 21.00€

### Grifo flotador toma UNIVERSAL

UNIVERSAL Fill float valve  
Robinet flotteur alimentation universel

- Fácil instalación.
- Graduación de llenado a voluntad.
- Rápido y silencioso.

- Easy to install.
- Water load fill adjustable as desired.
- Fast and noiseless refill.

- Facile installation
- Graduation de rémplissage à volonté
- Rapide et silencieux



Color Box  
29GFBOX 13.00€

### Grifo flotador lateral

Lateral fill float valve



Color Box  
29GFLBOX 9.55€

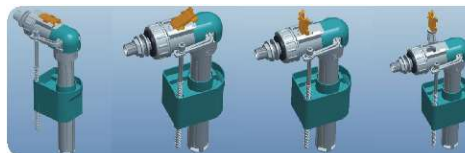
Con filtro superior. Fácil de limpiar. Sin herramientas. Ideal!  
Top filter, easy & non-tooling clean, super convenient



Llave Key  
Filtro Filter



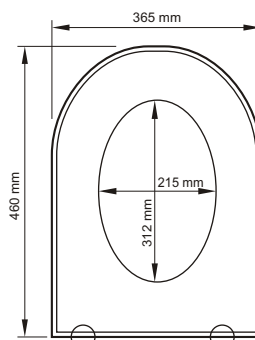
EXTRA SILENCIOSO!!  
Sólo 15 DB (requisito de nivel 1 END de la UE)  
Extra silence, 15DB, EU's END Level 1 requirement



Diseño integrado en la llave y el filtro para evitar una posible pérdida de componentes. Fácil de usar. Filtro superior. Fácil de limpiar y sin herramientas. Ideal!  
Integrated design on the key & filter, to avoid possible component missing, user friendly.

### Tapa y aro para inodoro (con caída amortiguada)

Toilet seat cover (slow down) Housse de siège toilette



- Size: 460x365 mm
- Inner ring size: 312x215 mm
- Material: PP plastic
- Color: white or other color is available
- Nominal Weight: 1.65 kg

Caja / box 10 u.  
29TSC 38.10€

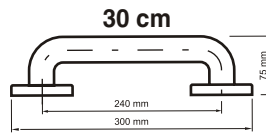
# Ref. 22 Soporte bañera / INOX / SS AISI 304

Safety grab bar / Poignee baignoire

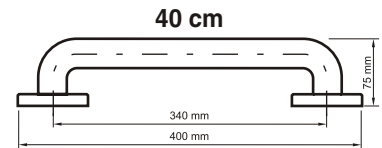
Breda



Acero Inox. AISI 304 pulido  
SS AISI 304 polished



22B30BOX 20.75€



22B40BOX 22.60€



## Condiciones generales de venta *General sales conditions*

### CONSULTA Y PEDIDOS

*Queries and orders*

Tel. +34 93 666 71 51

### PEDIDOS POR E-MAIL

*E-mail orders*

ventas@jlh-spain.com

### ATENCIÓN AL CLIENTE

*Customer support*

atencionalcliente@jlh-spain.com

WEB

[www.jlh-spain.com](http://www.jlh-spain.com)

### DESCUENTOS / *Discounts / Reductions*

- Consultar con su agente o distribuidor.
- *Refer to agent or supplier*
- *Consultez votre revendeur*

### FORMA DE PAGO / *Terms of payment / Modalités de paiement*

- Venta al contado o crédito mediante giro bancario.
- *Cash payment or credit payment through money order*
- *Comptant au á credit paiement para virement bancaire*

### PORTES / *Portage charges / Fret*

- Pagados y sin coste adicional si el pedido es superior a 300 euros.
- *Portage free of charges and no additional costs to orders over 300 euros.*
- *Versée si l'ordre est plus de 300 euros*

### DEVOLUCIONES

- Plazo de devolución: ampliamos a 15 días naturales
- El producto debe ser devuelto en perfecto estado con todos sus accesorios, instrucciones y embalaje.
- Los artículos devueltos incompletos, estropeados, dañados o deteriorados no serán aceptados.
- Los productos personalizados o manipulados no tienen posibilidad de cambio o devolución.
- En ningún caso, nos haremos responsables de la mala instalación o uso inadecuado del producto.
- No tire el embalaje original hasta el final del plazo.
- Antes de la devolución debe de informar a [atencionalcliente@jlh-spain.com](mailto:atencionalcliente@jlh-spain.com)
- Deberá ser enviado en los siguientes 5 días laborables tras la aceptación de la devolución.
- Si la devolución es responsabilidad de Accesorios Sanitarios JLH SL y se encuentra en los 15 días naturales después de recibir el pedido, los portes serán pagados.
- El resto de devoluciones, los portes los pagara el cliente. Una vez valoradas y aceptada la devolución por parte de Accesorios Sanitarios JLH SL se decidirá sobre el importe a abonar.



[www.jlh-spain.com](http://www.jlh-spain.com)

**ACCESORIOS SANITARIOS JLH, S.L.**

N.I.F. B-59.148.007

Tel. + 34 936 667 151

[ventas@jlh-spain.com](mailto:ventas@jlh-spain.com)

[www.jlh-spain.com](http://www.jlh-spain.com)